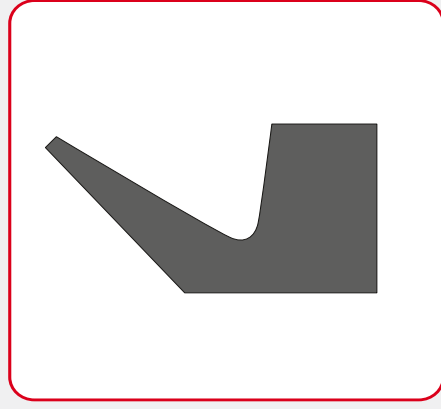




**BTSSEALS<sup>®</sup>**

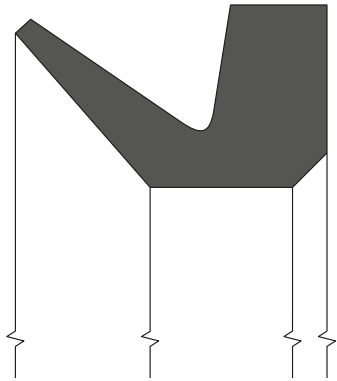
*We Seal Your Success*



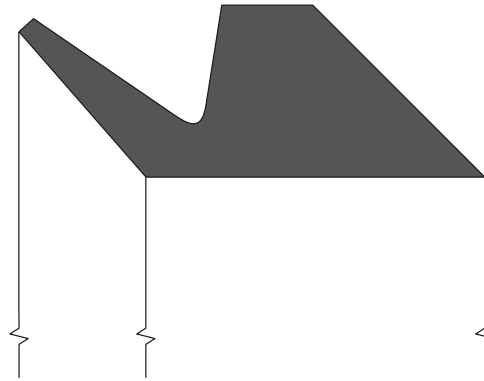
**V-RINGS**

# V-Rings

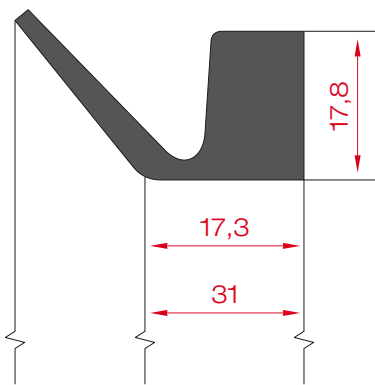
## Types



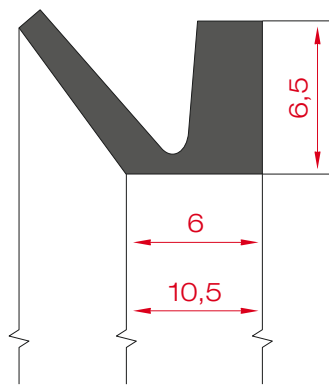
Type A: for shafts  $\varnothing$  2,7 - 2020 mm



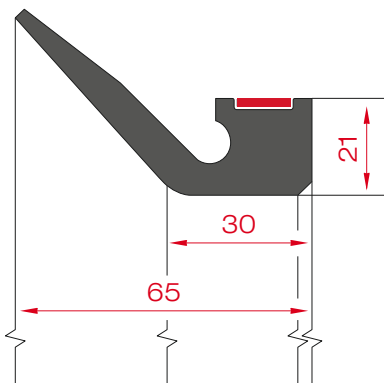
Type S :  $\varnothing$  4,5 - 210 mm (see list of dimensions)



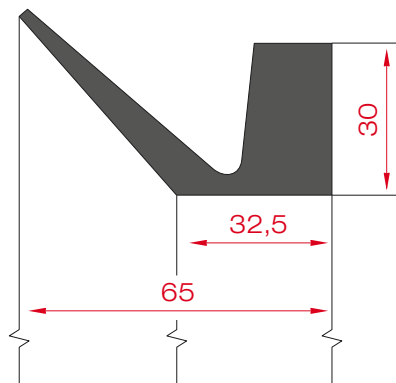
Type VAX:  $\varnothing$  250 - 1320 mm



Type VL:  $\varnothing$  115 - 775 mm



Type VRME:  $\varnothing$  280 - 1025 mm



Type E:  $\varnothing$  250 - 1270 mm

## Characteristics

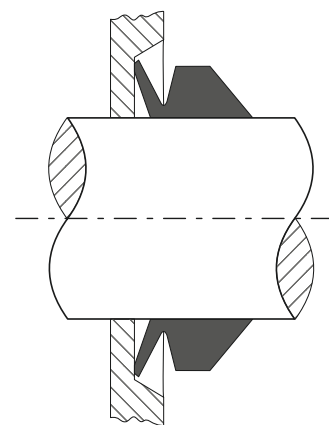
The V-ring is a fully elastic seal with radial and axial sealing effect.

The V-ring is directly mounted onto the shaft. The seal rotates with the shaft and is held in its position on the shaft due to the tension of the body.

The V-ring is suited as a primary seal against dirt, dust, water, grease, oil spray and cooling emulsion.

Due to its extraordinary shape and tension of the body, this seal can be used for any bearings by itself or in combination with other radial shaft seals.

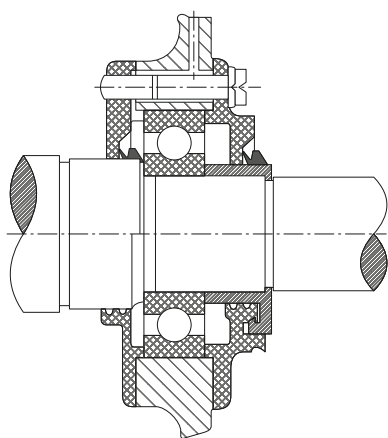
The rotating movement of the shaft and the centrifugal force keep dirt and water away from the sealing counterface as well as from the V-ring itself (deflector effect).



Example of application

## Standard materials

- NBR
- FKM
- VMQ and EPDM for serial production only



Example of application: electric engine

## Outstanding advantages

- Low requirements for reworking of the shaft and the countersurface
- A remarkable misalignment and excentricity of the shaft have no impact of sealing function
- Wide space for assembly and tolerance
- Easy assembling

## References





## Sales

### **BT Seals Austria**

Inkustrasse 1-7/8  
A-3400 Klosterneuburg

Tel +43 2243 24332  
Fax +43 2243 25741  
info@btseals.com  
sales.at@btseals.com

### **BT Seals Hungária**

Csokonai utca 18  
H-8252 Balatonszepezd

Tel +36 87 568048  
sales.hu@btseals.com  
quality.hu@btseals.com

### **BT Seals Czech Republic**

Modrínova 351  
CZ-37361 Hrdejovice

Tel +420 387 221335  
sales.cz@btseals.com

## Production

### **BT Seals Hungária**

Somfalvi út 21  
H-9400 Sopron

Tel +36 99 523840  
production@btseals.com

*BT Seals products worldwide*



[www.btseals.com](http://www.btseals.com)